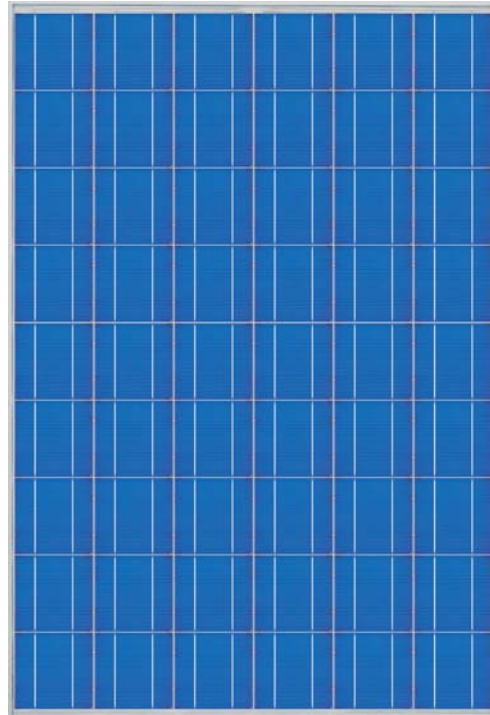


Solar Module SE6M54 Series

SE6M54 Series are designed for high power output. SE6M54 Series are made of poly-crystalline silicon solar cells which have lifetime of more than 25 years. Our modules have been awarded top rating in numbers of surveys and independent studies. Low iron-tempered glass is designed to resist all the shocks and improve light transmittance. EVA (Ethylene Vinyl Acetate) film is designed to protect and insulate the solar cells. Aluminum frames are durable and solid, and are anodized for proof against rust. A waterproof junction box is designed to allow any serial/parallel arrangement, and integrated bypass diodes prevent loss of power output from partial shade. Symphony Energy's modules are guaranteed by strict test and studies for their quality. We sure these modules can support all photovoltaic industrial area through safety and economy.



Cell Characteristics

Type	Multi
Size	156 x 156 mm
Number of Cells	54

Electrical Characteristics

	SE-M181	SE-M189	SE-M194	SE-M200	SE-M205	SE-M210
Peak Power (Wp)	181 W	189 W	194 W	200 W	205 W	210 W
Peak Power Voltage (Vmpp)	26,9 V	26,2 V	26,6 V	27,0 V	27,2 V	27,3 V
Peak Power Current (Impp)	6,73 A	7,21 A	7,30 A	7,40 A	7,54 A	7,68 A
Open Circuit Voltage (Voc)	32,4 V	32,4 V	32,6 V	32,8 V	33,0 V	33,2 V
Short Circuit Current (Isc)	7,35 A	7,80 A	7,89 A	7,99 A	8,12 A	8,25 A
Module Efficiency (ηm)	12,6%	13,2%	13,5%	13,9%	14,3%	14,6%
Power tolerance(%)	+/-3%	+/-3%	+/-3%	+/-3%	+/-3%	+/-3%

Physical Characteristics

Length	1474 mm
Width	974 mm
Thickness	35 mm
Weight	16 kg
Mounting Holes (Ø=8 mm)	14

Limits

Operating Temperature	- 40 ~90 °c
Storage Temperature	- 40 ~90 °c
Maximum System Voltage	*DC 1,000V

Temperature coefficients

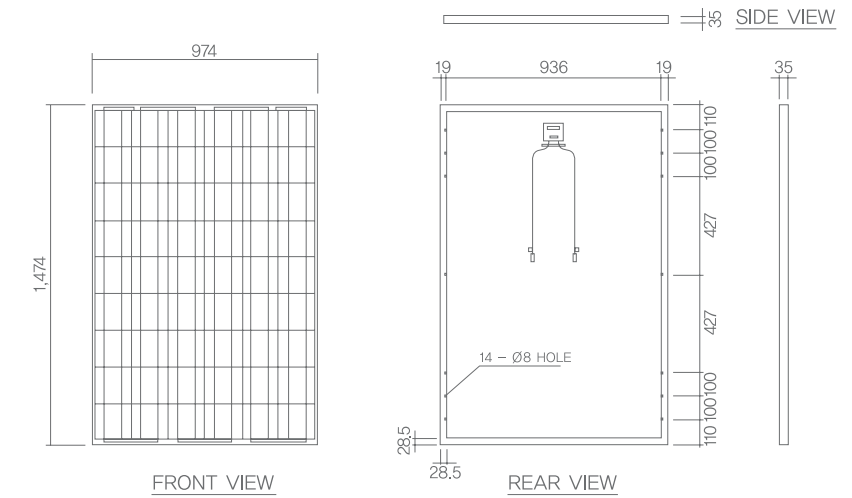
Temperature coefficients of Isc	+0,06 %/°c
Temperature coefficients of Voc	-0,35 %/°c
Temperature coefficients of Pm (%)	-0,46 %/°c

Warranty

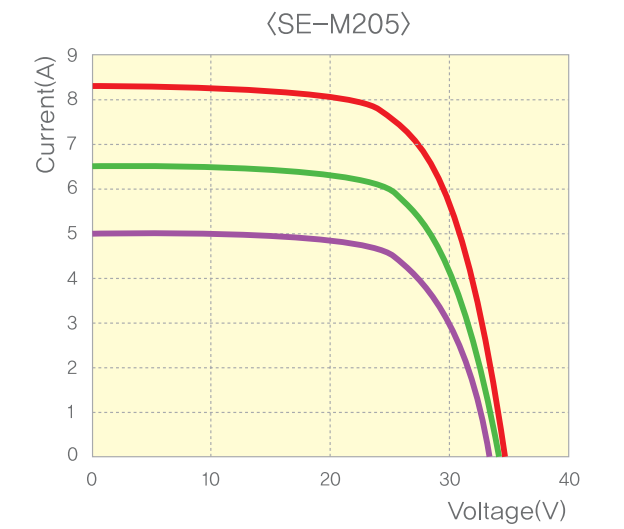
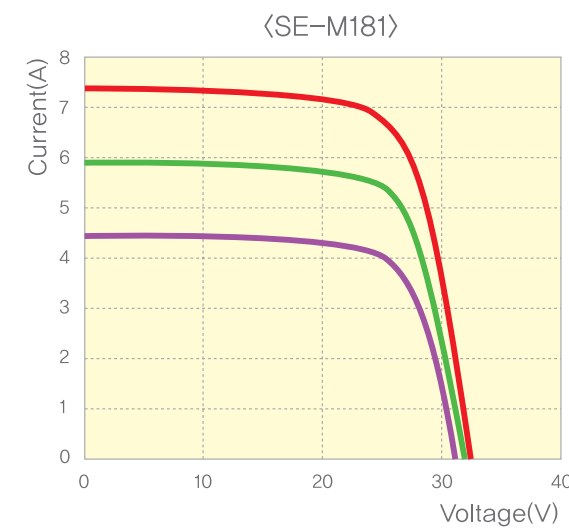
90% of minimum warranty power output for 10 years
80% of minimum warranty power output for 25 years
Free from defect in materials and workmanship for 3 years

Solar Module SE6M54 Series

Module Dimensions



I-V Curves



· STC Measurement : 1000W/m², 25°C , AM1.5G

— 1000 W/m²
— 800 W/m²
— 600 W/m²

**IEC &
Safety Class II
Applied for**